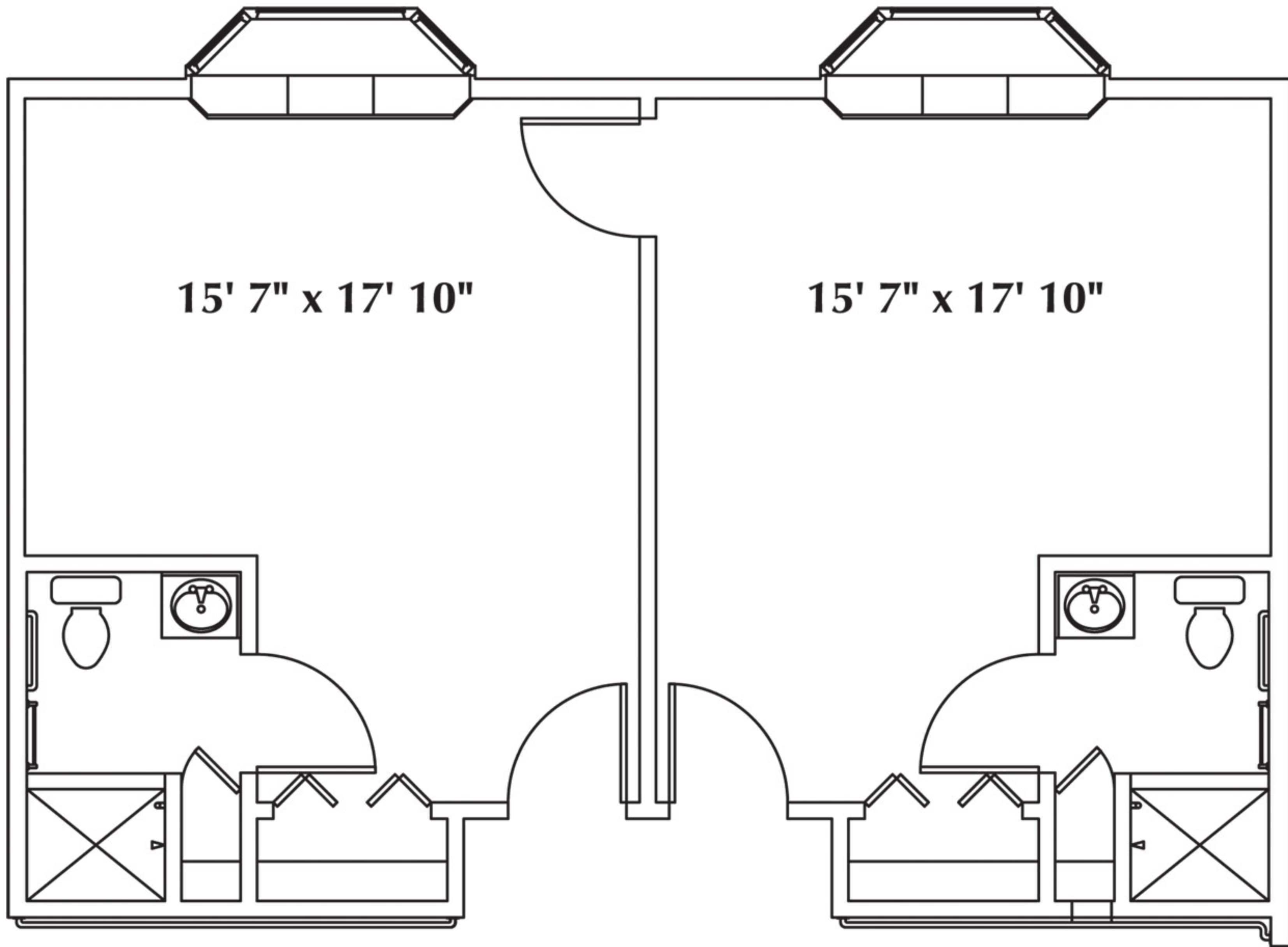




Appledorn Assisted Living Center

Assisted Living Apartments



Standard Suite

Appledorn Assisted Living Center
727 Apple Avenue, Holland, MI 49423
Phone: 616-392-4650 / TTY Relay: 800-649-3777 / Fax: 616-392-3937
Email: appledorn@heritageseniorcommunities.com
www.appledornalc.com



EQUAL HOUSING OPPORTUNITY

