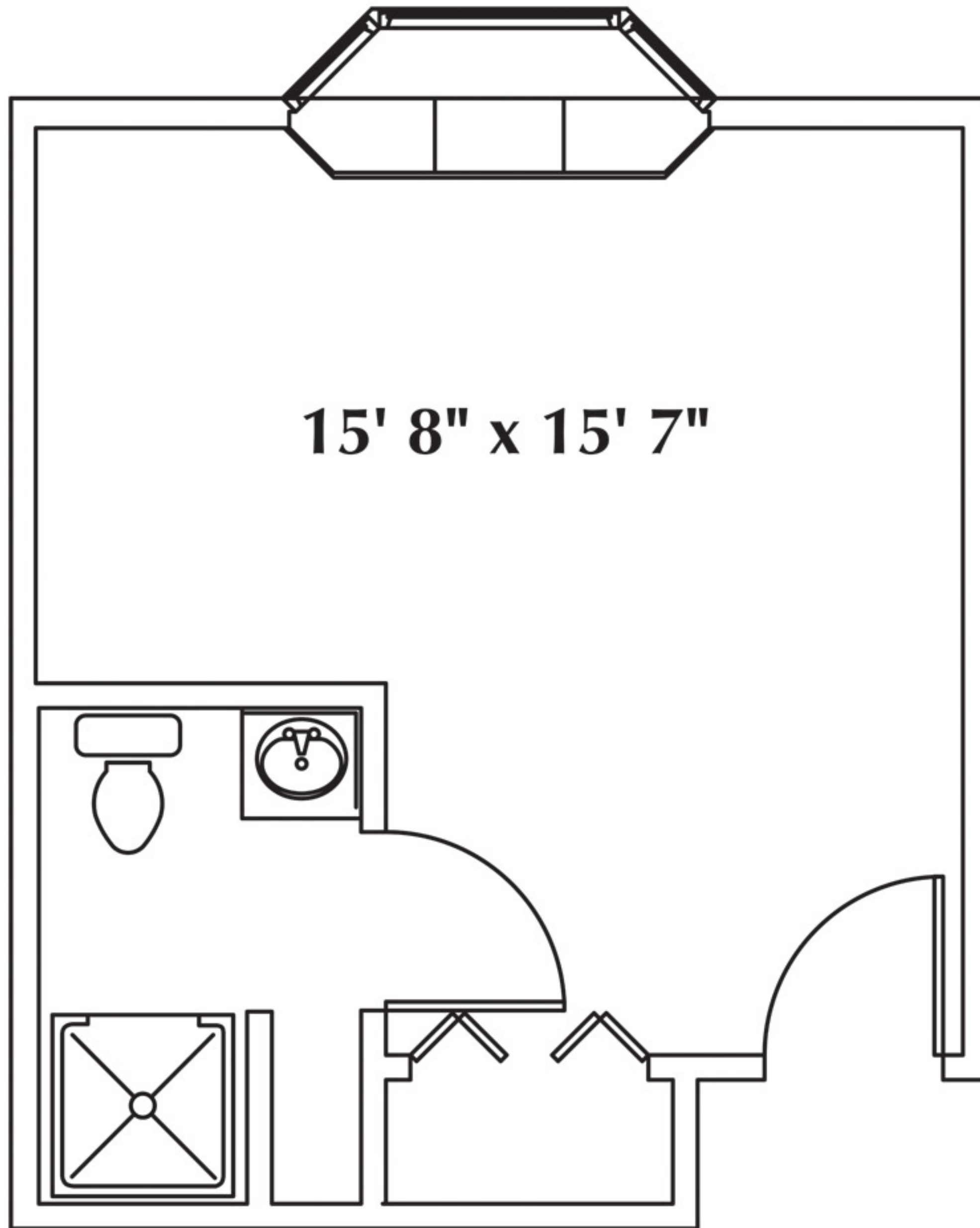




Edgewood Assisted Living Center

Standard Studio



Edgewood Assisted Living Center

4850 Gratiot Road, Saginaw, MI 48638

Phone: 989-497-9970 / TTY Relay: 800-649-3777 / Fax: 989-790-3110

Email: edgewood@heritageseniorcommunities.com

www.edgewoodalc.com



EQUAL HOUSING OPPORTUNITY

