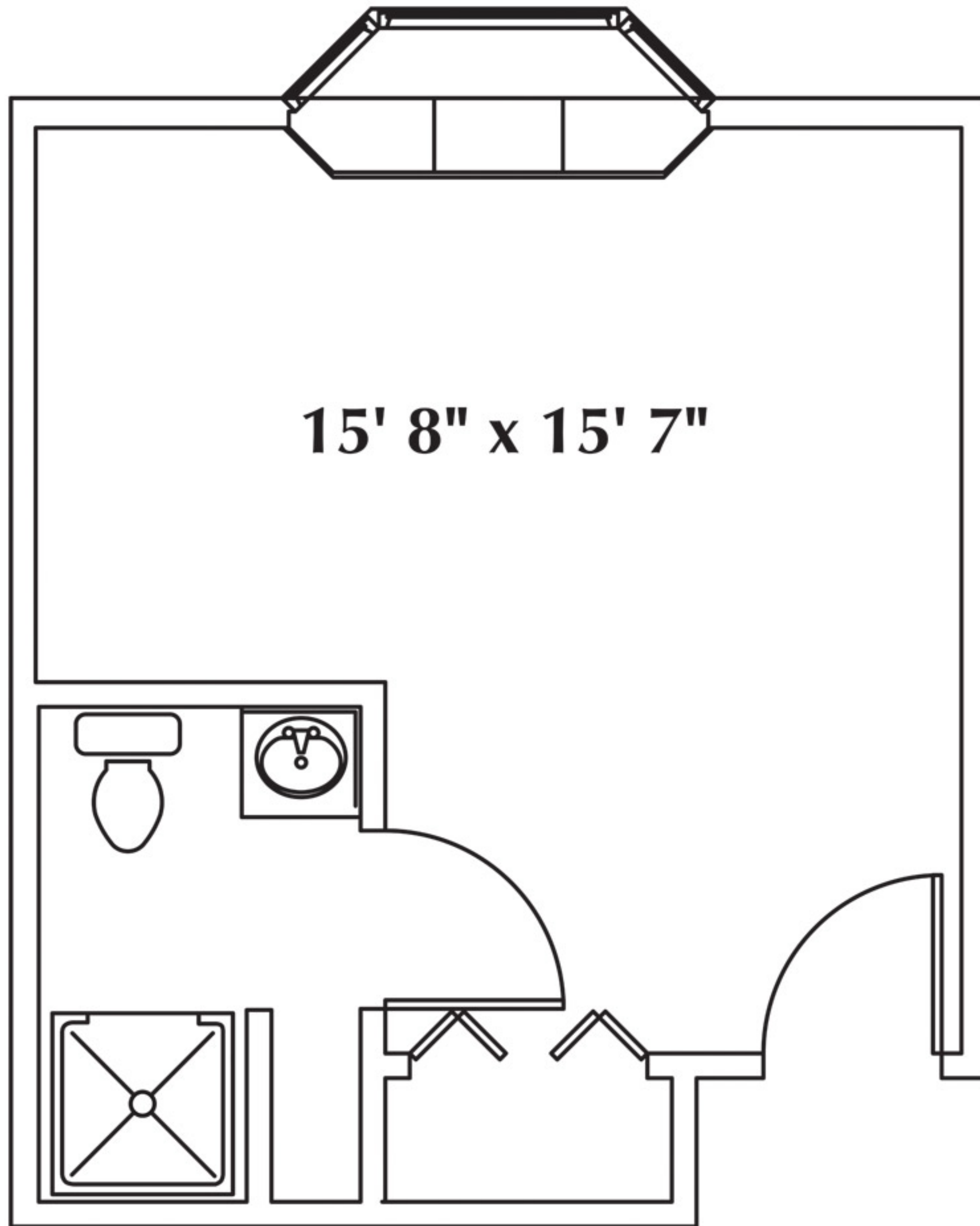




Railside Assisted Living Center

Standard Studio



Railside Assisted Living Center

7955 Byron Center Avenue SW, Byron Center, MI 49315

Phone: 616-878-4620 / TTY Relay: 800-649-3777 / Fax: 616-878-5338

Email: railside@heritageseniorcommunities.com

www.railsidealc.com



EQUAL HOUSING OPPORTUNITY

