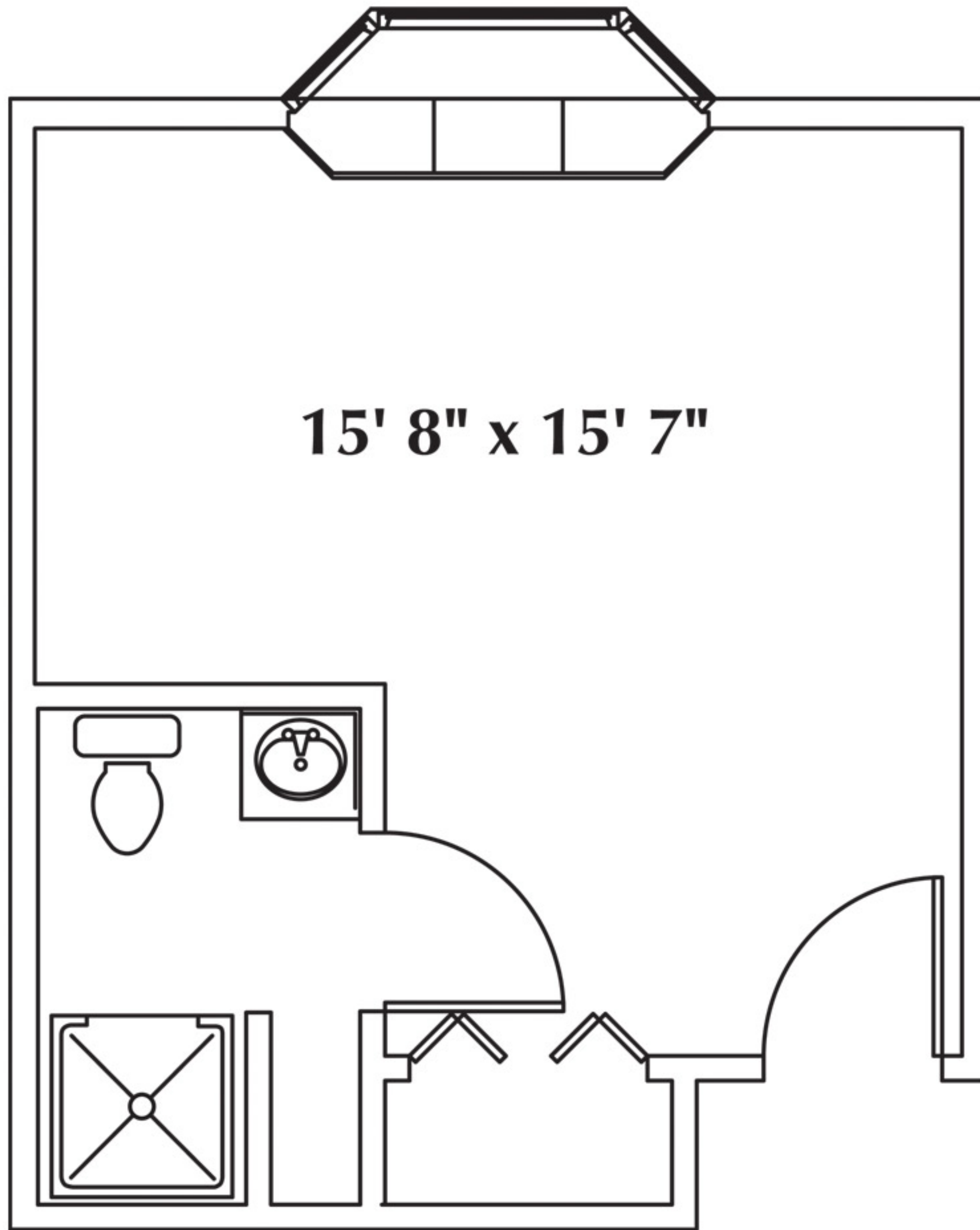




Seminole Shores Assisted Living Center

Standard Studio



Seminole Shores Assisted Living Center

850 Seminole Road, Norton Shores, MI 49441

Phone: 231-780-2944 / TTY Relay: 800-649-3777 / Fax: 231-780-2599

Email: seminoleshores@heritageseniorcommunities

www.seminoleshoresalc.com

EQUAL HOUSING OPPORTUNITY

