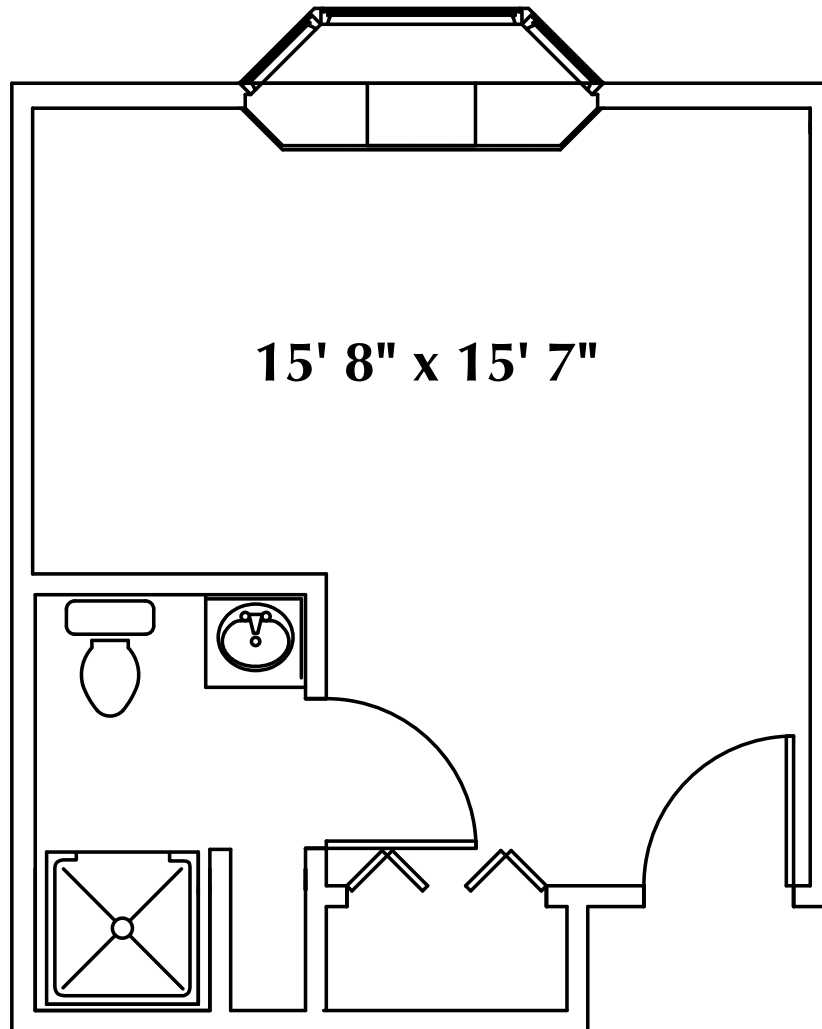




# Appledorn Assisted Living Center South

## Assisted Living Apartments - South



### Standard Studio

Appledorn Assisted Living Center South

727 Apple Avenue, Holland, MI 49423

Phone: 616-392-4650 / Fax: 616-392-3937

TRS Dial: 7-1-1

Email: [appledornalcsouth@heritagepmi.com](mailto:appledornalcsouth@heritagepmi.com)

[www.appledornalc.com](http://www.appledornalc.com)



EQUAL HOUSING OPPORTUNITY