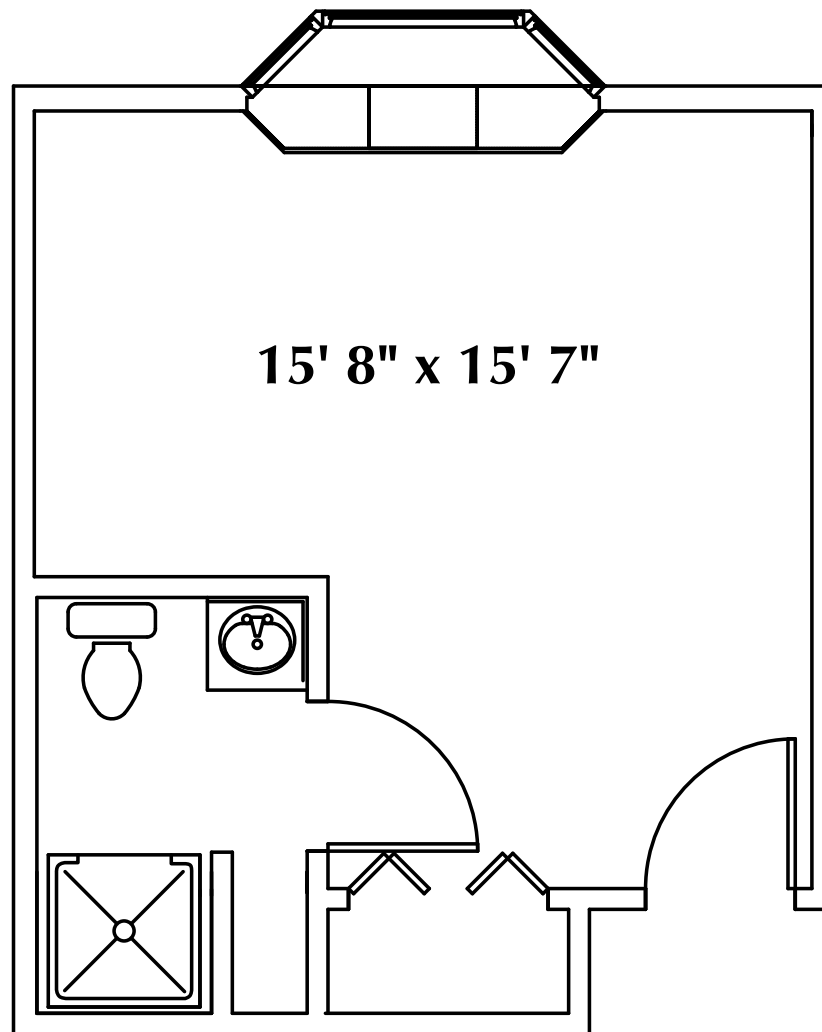




# Sheldon Meadows Assisted Living Center

## Standard Studio



Sheldon Meadows Assisted Living Center  
4482 Port Sheldon Road, Hudsonville, MI 49426  
Phone: 616-662-8191 / TRS Dial: 7-1-1 / Fax: 616-662-1696  
Email: sheldonmeadowsalc@heritagepmi.com  
[www.sheldonmeadowsalc.com](http://www.sheldonmeadowsalc.com)



EQUAL HOUSING OPPORTUNITY

