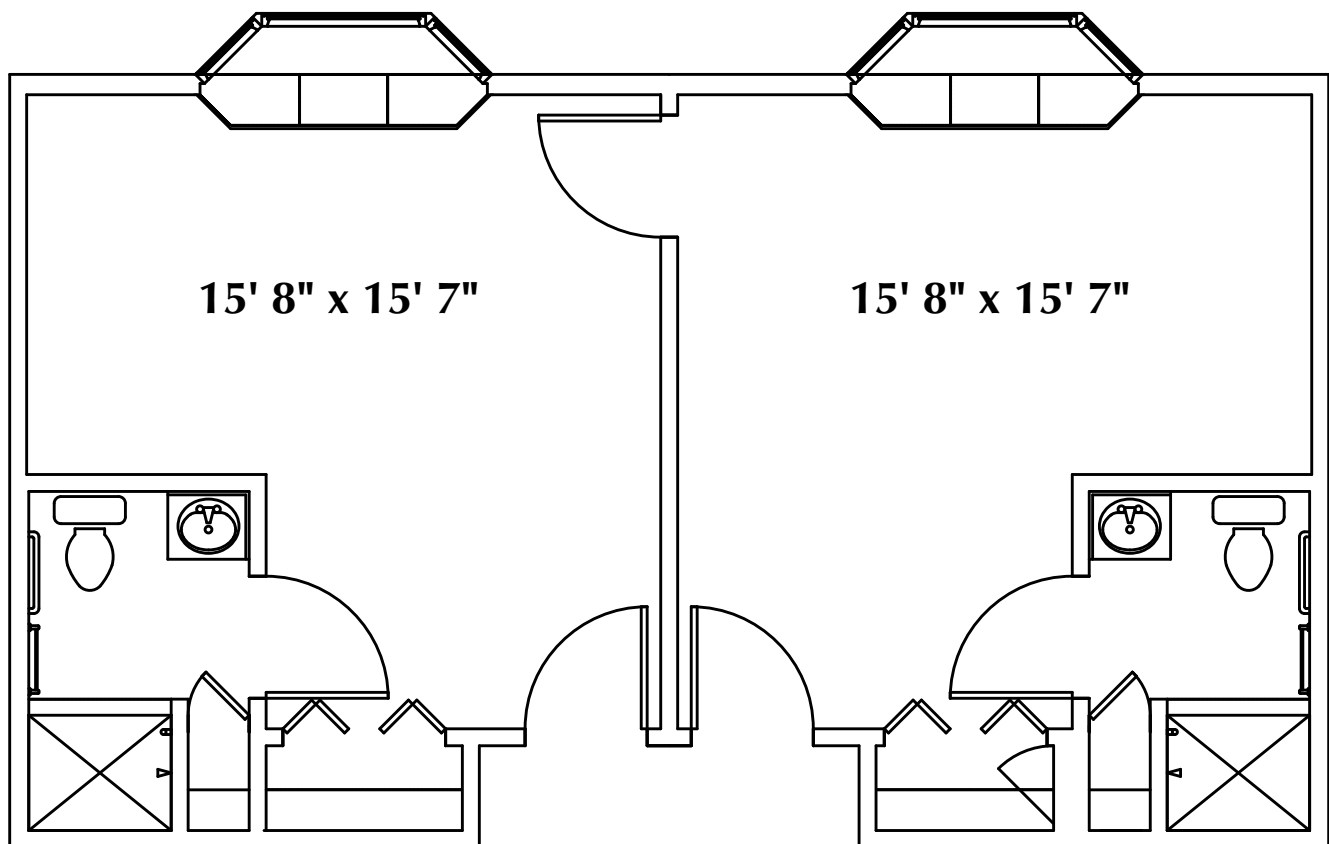




Appledorn Assisted Living Center South

Assisted Living Apartments - South



Standard Suite

Appledorn Assisted Living Center South
727 Apple Avenue, Holland, MI 49423
Phone: 616-392-4650 / Fax: 616-392-3937
TRS Dial: 7-1-1
Email: appledornalcsouth@heritagepmi.com
www.appledornalc.com



EQUAL HOUSING OPPORTUNITY