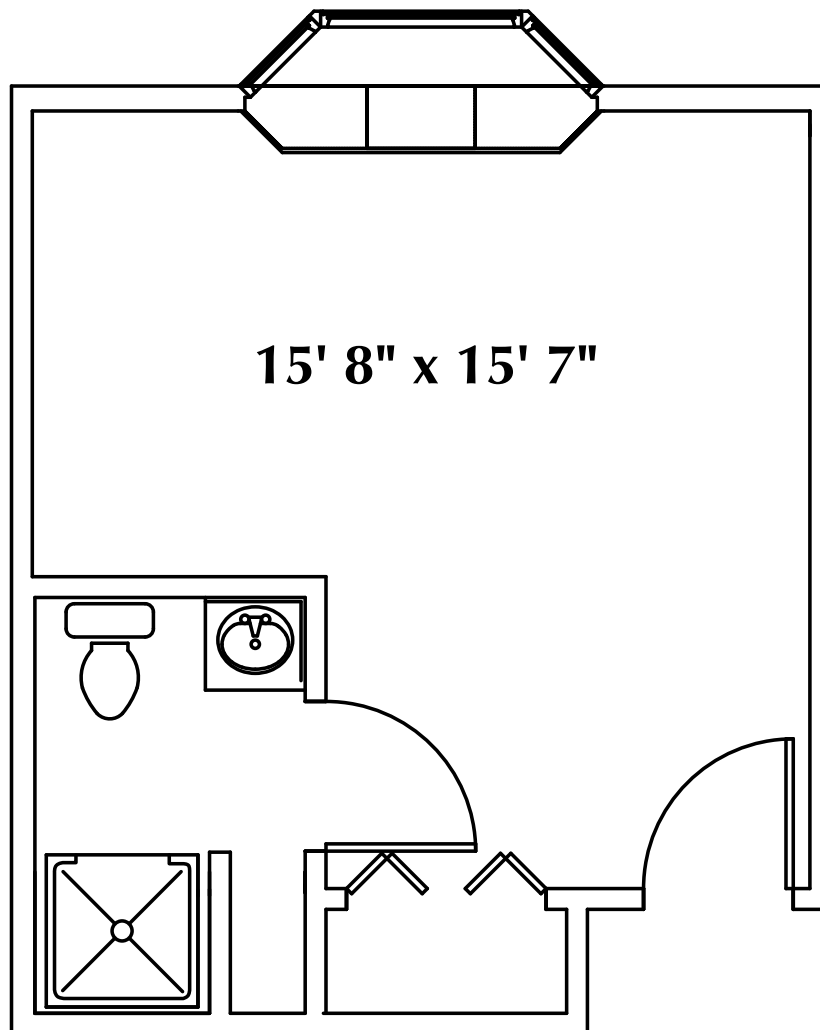




# Edgewood Assisted Living Center

## Standard Studio



Edgewood Assisted Living Center  
4850 Gratiot Road, Saginaw, MI 48638  
Phone: 989-497-9970 / TRS Dial: 7-1-1 / Fax: 989-790-3110  
Email: [edgewoodalc@heritagepmi.com](mailto:edgewoodalc@heritagepmi.com)  
[www.edgewoodalc.com](http://www.edgewoodalc.com)



EQUAL HOUSING OPPORTUNITY

