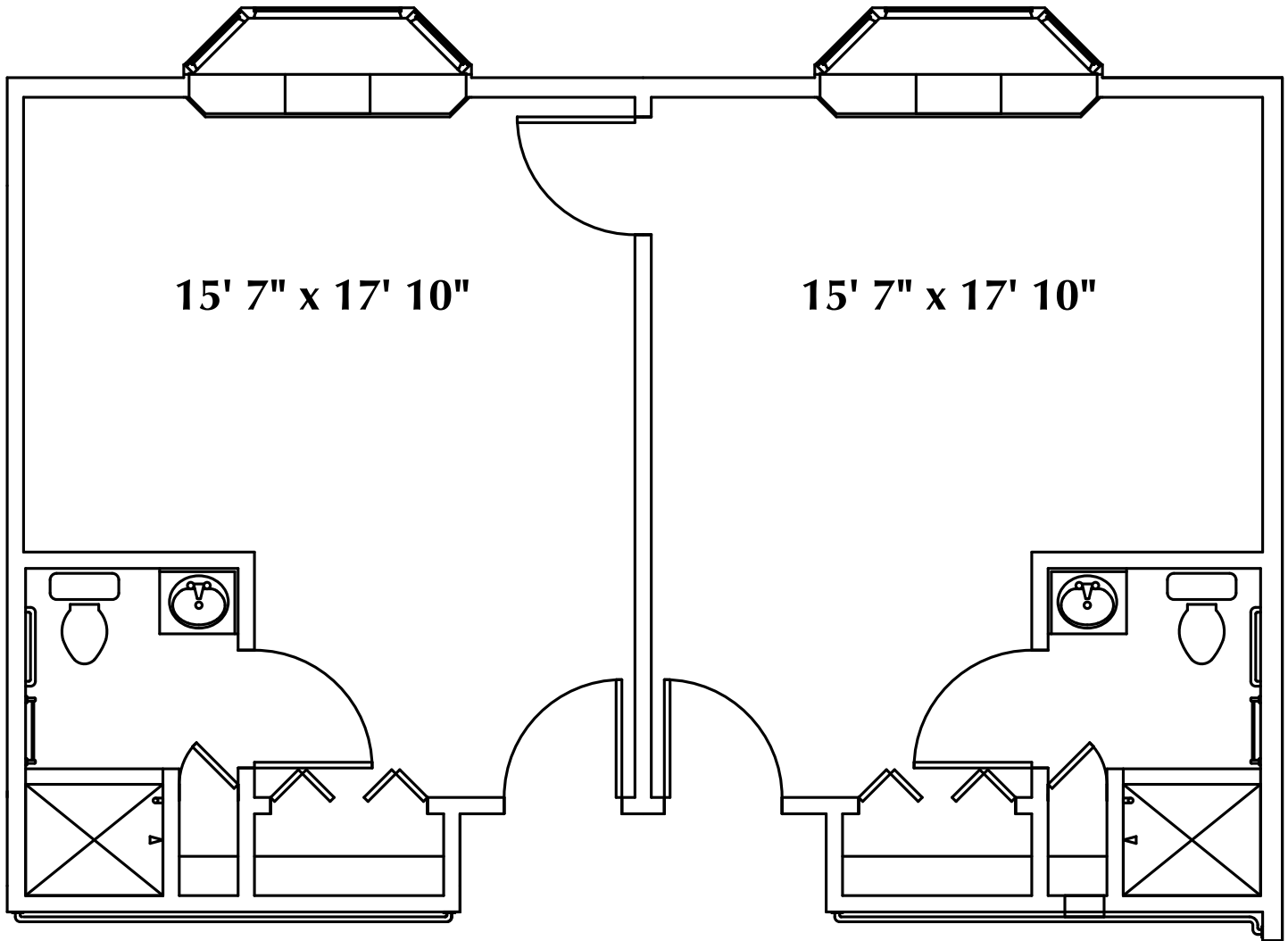




Edgewood Assisted Living Center

Standard Suite



Edgewood Assisted Living Center
4850 Gratiot Road, Saginaw, MI 48638
Phone: 989-497-9970 / TRS Dial: 7-1-1 / Fax: 989-790-3110
Email: edgewoodalc@heritagepmi.com
www.edgewoodalc.com



EQUAL HOUSING OPPORTUNITY

